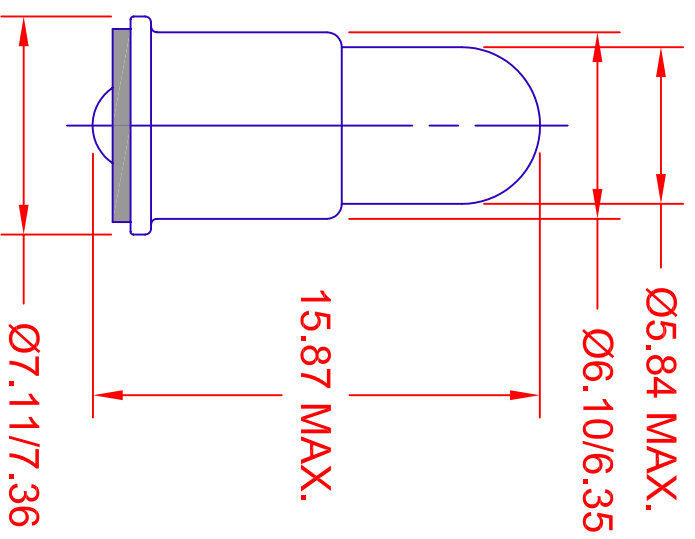


| REV. | DESCRIPTION/ECO NO.       | DATE    |
|------|---------------------------|---------|
|      | RELEASED                  | 5/17/00 |
| A    | DELETE #'S 331, 375, FF48 | 8/3/05  |
| B    | 385 UPDATE RATINGS        | 6/11/09 |
|      |                           |         |
|      |                           |         |

| JKL LAMP NUMBER | VOLTS RATED | AMPS RATED ±10% | MSCP ±25% | LUMENS ±25% | AVERAGE LIFE HRS. | FILAMENT TYPE |
|-----------------|-------------|-----------------|-----------|-------------|-------------------|---------------|
| 368             | 2.5         | .200            | .200      | 2.51        | 500               | C-2R          |
| 268             | 2.5         | .350            | .200      | 2.51        | 20,000            | C-2R          |
| 252             | 2.5         | .350            | LENS END  |             | 20,000            | C-2R          |
| 338             | 2.7         | .060            | .040      | 0.50        | 6,000             | C-2R          |
| FF23            | 5.0         | .020            | .020      | 0.25        | 50,000            | C-2R          |
| FF90            | 5.0         | .021            | .034      | 0.43        | 10,000            | C-2R          |
| 7332            | 5.0         | .060            | .030      | 0.38        | 100,000           | C-2R          |
| 7333            | 5.0         | .060            | .050      | 0.63        | 100,000           | C-2R          |
| 3150            | 5.0         | .060            | .150      | 1.89        | 5,000             | C-2R          |
| 7335            | 5.0         | .115            | .150      | 1.89        | 40,000            | C-2R          |
| 345             | 6.0         | .040            | .030      | 0.38        | 10,000            | C-2V          |
| 328             | 6.0         | .200            | .630      | 7.92        | 1,000             | C-2R          |
| 380             | 6.3         | .040            | .030      | 0.38        | 20,000            | C-2F          |
| 377             | 6.3         | .075            | .230      | 2.89        | 1,000             | C-2R          |
| 350             | 6.3         | .150            | .450      | 5.66        | 3,000             | C-2R          |
| 381             | 6.3         | .200            | .400      | 5.03        | 50,000            | C-2F          |
| 349             | 6.3         | .200            | .550      | 6.91        | 5,000             | C-2R          |
| 344             | 10.0        | .014            | .002      | 0.03        | 50,000            | C-2F          |
| 367             | 10.0        | .040            | .080      | 1.01        | 30,000            | C-2F          |
| 394             | 12.0        | .040            | .120      | 1.51        | 10,000            | C-2F          |
| 382             | 14.0        | .080            | .300      | 3.77        | 50,000            | C-2F          |
| 330             | 14.0        | .080            | .500      | 6.29        | 2,500             | C-2F          |
| 8918            | 14.0        | .100            | .500      | 6.29        | 50,000            | C-2F          |
| 370             | 18.0        | .040            | .150      | 1.89        | 10,000            | C-2F          |
| 459             | 22.0        | .040            | .300      | 3.77        | 2,000             | C-2F          |
| 8176            | 24.0        | .050            | .500      | 6.29        | 2,000             | C-2F          |
| FF28            | 28.0        | .024            | .150      | 1.89        | 16,000            | C-2F          |
| 385             | 28.0        | .040            | .150      | 1.89        | 20,000            | C-2F          |
| 387             | 28.0        | .040            | .300      | 3.77        | 25,000            | C-2F          |
| 327             | 28.0        | .040            | .340      | 4.27        | 4,000             | C-2F          |
| 376             | 28.0        | .060            | .340      | 4.27        | 25,000            | C-2F          |
| 7341            | 28.0        | .065            | .650      | 8.17        | 5,000             | C-2F          |
| 269             | 32.0        | .040            | .340      | 4.27        | 20,000            | C-2F          |



|   |                             |  |                                       |
|---|-----------------------------|--|---------------------------------------|
| <p><b>METRIC</b><br/>THIRD ANGLE PROJECTION</p> |                             | <p>DIMENSIONS ARE IN MILLIMETERS<br/>TOLERANCE UNLESS OTHERWISE SPECIFIED<br/>1 PL +/- 0.2<br/>2 PL +/- 0.20<br/>ANGLE +/- 0</p> |                                       |
| <p><b>JKL COMPONENTS CORPORATION</b></p>        |                             | <p>TITLE<br/>T-1 3/4 STANDARD MIDGET FLANGE</p>  |                                       |
| <p>DRAWN BY<br/>L. WENGSTROM</p>                | <p>APPR'D BY<br/>L.W.</p>   | <p>DATE<br/>6/11/09</p>  | <p>DATE<br/>6/11/09</p>               |
| <p>SCALE<br/>NONE</p>                           | <p>SIZE<br/>A</p>           | <p>FSCM NO.<br/>55335</p>  | <p>DRAWING NO.<br/>FLANGE T-1 3/4</p> |
| <p>MANUAL REVISIONS NOT PERMITTED</p>           | <p>RELEASED<br/>5/17/00</p> | <p>REVISION<br/>6/11/09</p>  | <p>REV. NO.<br/>B</p>                 |
|   |                             |  | <p>SHEET<br/>1 OF 1</p>               |

# Mouser Electronics

Authorized Distributor

Click to View Pricing, Inventory, Delivery & Lifecycle Information:

## JKL Components:

[252](#) [327](#) [328](#) [330](#) [370](#) [380](#) [382](#) [385](#) [387](#) [7332](#) [7333](#) [MS25237-328](#) [268](#) [344](#) [350](#) [367](#) [368](#) [377](#) [7341](#)  
[MS25237-8918](#) [7335](#) [MS25237-387](#) [394](#) [376](#) [3150](#) [345](#) [338](#) [349](#) [8918](#) [381](#) [8176](#)